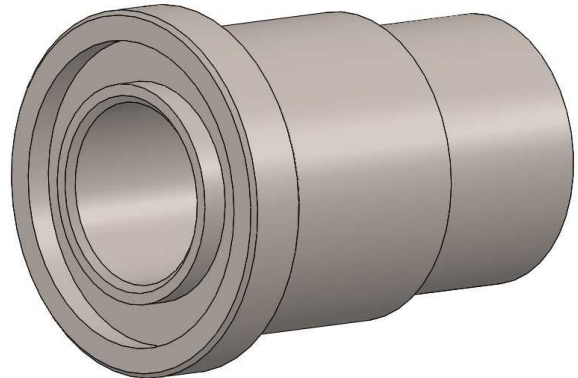
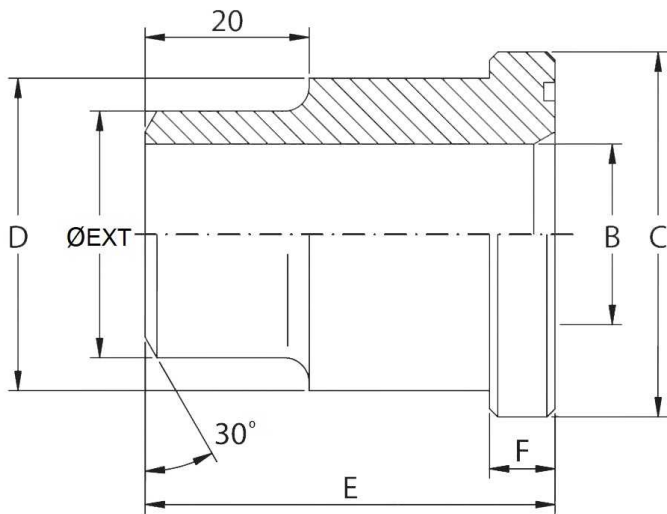


Flange welding adaptor for metric tube

Stainless Steel AISI 316-L



Part n°	Serie	Ø outer	Size	O'Ring	B	C	D	E	F
ZBSM3108016	3000 PSI	16	1/2"	4075	12	30,2	24	41	6,73
ZBSM3112025	3000 PSI	25	3/4"	4100	19	38,1	32	50	6,73
ZBSM3116030	3000 PSI	30	1"	4131	22	44,4	38	50	8
ZBSM3120038	3000 PSI	38	1"1/4	4150	28	50,8	43	55	8
ZBSM3124045	3000 PSI	45	1"1/2	4187	35	60,3	50	57	8
ZBSM3132060	3000 PSI	60	2"	4225	50	71,4	62	57	9,53
ZBSM3140070	3000 PSI	70	2"1/2	4275	55	84,1	74	58	9,53
ZBSM3148080	3000 PSI	80	3"	4337	68	101,6	90	60	9,53
ZBSM3156100	3000 PSI	100	3"1/2	4387	89	114,3	102	80	11,2
ZBSM3164114	3000 PSI	114.3	4"	4437	99	127	114,3	80	11,2
ZBSM6108016	6000 PSI	16	1/2"	4075	12	31,8	24	34	7,75
ZBSM6112025	6000 PSI	25	3/4"	4100	18	41,3	32	38	8,76
ZBSM6116030	6000 PSI	30	1"	4131	22	47,6	38	40	9,53
ZBSM6120038	6000 PSI	38	1"1/4	4150	27	54	44	45	10,29
ZBSM6124045	6000 PSI	45	1"1/2	4187	32	63,5	51	50	12,57
ZBSM6132060	6000 PSI	60	2"	4225	45	79,4	67	58	12,57