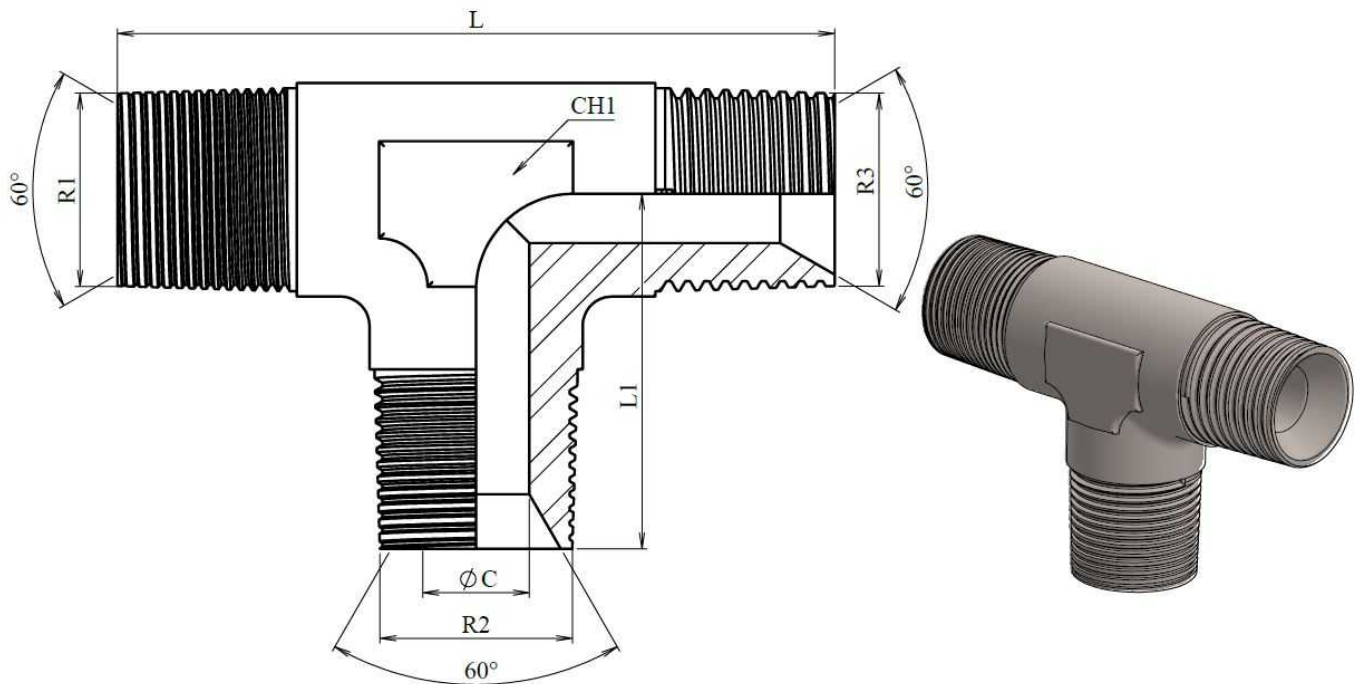


NPT Adaptors

Forging tees

## NPT male tee

Stainless Steel AISI 316-L



Part n°	R1	R2	R3	L	L1	CH1
<b>ZN122002</b>	1/8" NPT	1/8" NPT	1/8" NPT	40	20	12
<b>ZN122004</b>	1/4" NPT	1/4" NPT	1/4" NPT	56	28	14
<b>ZN122006</b>	3/8" NPT	3/8" NPT	3/8" NPT	62	31	19
<b>ZN122008</b>	1/2" NPT	1/2" NPT	1/2" NPT	74	37	22
<b>ZN122012</b>	3/4" NPT	3/4" NPT	3/4" NPT	80	40	27
<b>ZN122016</b>	1" NPT	1" NPT	1" NPT	100	50	36