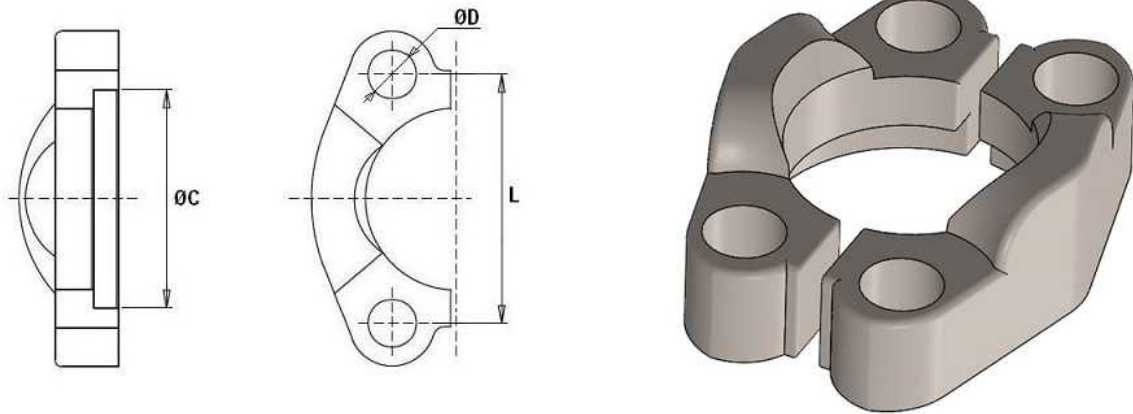


Standard series

SAE Flanges for hoses

SAE Split flange

Stainless Steel AISI 316-L



Part n°	Serie	Ø in	Size	L	ØC	ØD
ZBBP308302	3000 PSI	30.2	1/2"	38,1	30,96	8,75
ZBBP312381	3000 PSI	38.1	3/4"	47,63	38,89	10,75
ZBBP316445	3000 PSI	44.5	1"	52,37	45,24	10,75
ZBBP320508	3000 PSI	50.8	1"1/4	58,72	51,59	11
ZBBP324603	3000 PSI	60.3	1"1/2	69,85	61,09	13,5
ZBBP332714	3000 PSI	71.4	2"	77,77	72,24	13,5
ZBBP340841	3000 PSI	84.1	2" 1/2	88,9	84,95	13.5
ZBBP3481024	3000 PSI	102.4	3"	106,38	102,39	16,75
ZBBP364127	3000 PSI	127	4"	130,18	127,8	17
ZBBP608318	6000 PSI	31.8	1/2"	40,49	32,54	8,75
ZBBP612413	6000 PSI	41.3	3/4"	50,8	42,06	11
ZBBP616476	6000 PSI	47.6	1"	57,15	48,41	13
ZBBP620540	6000 PSI	54	1"1/4	66,68	54,76	15
ZBBP624635	6000 PSI	63.5	1"1/2	79,38	64,29	17
ZBBP632794	6000 PSI	79.4	2"	96,82	80,16	21