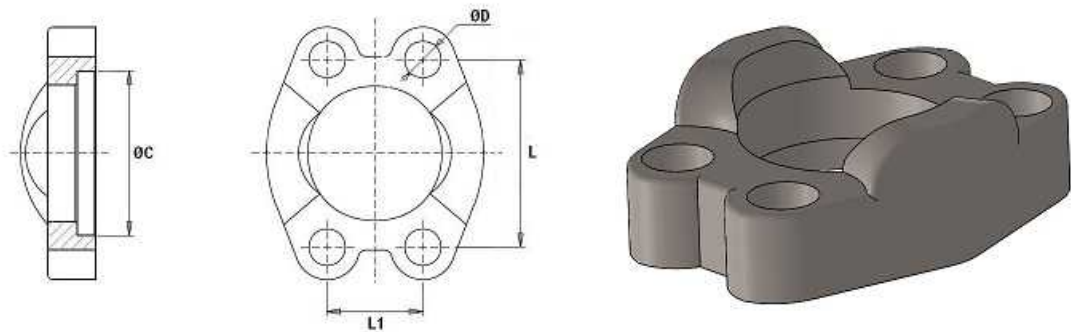


Standard series

SAE Flanges for hoses

## SAE Flange

Stainless Steel AISI 316-L



Part n°	Serie	Ø in	Size	L	L1	ØC	ØD
<b>ZBBE308302</b>	3000 PSI	30.2	1/2"	38,1	17,48	30,96	8,75
<b>ZBBE312381</b>	3000 PSI	38.1	3/4"	47,63	22,23	38,89	10,75
<b>ZBBE316445</b>	3000 PSI	44.5	1"	52,37	26,19	45,24	10,75
<b>ZBBE320508</b>	3000 PSI	50.8	1"1/4	58,72	30,18	51,59	11
<b>ZBBE324603</b>	3000 PSI	60.3	1"1/2	69,85	35,71	61,09	13,5
<b>ZBBE332714</b>	3000 PSI	71.4	2"	77,77	42,88	72,24	13,5
<b>ZBBE340841</b>	3000 PSI	41	2" 1/2	88,9	50,8	84,95	13,3
<b>ZBBE3481024</b>	3000 PSI	102.4	3"	106.38	61,92	102,4	17
<b>ZBBE364127</b>	3000 PSI	127	4"	130.18	77,76	127,8	17
<b>ZBBE608318</b>	6000 PSI	31.8	1/2"	40,49	18,24	32,54	8,75
<b>ZBBE612413</b>	6000 PSI	41.3	3/4"	50,8	23,8	42,06	11
<b>ZBBE616476</b>	6000 PSI	47.6	1"	57,15	27,76	48,41	13
<b>ZBBE620540</b>	6000 PSI	54	1"1/4	66,68	31,75	54,76	15
<b>ZBBE624635</b>	6000 PSI	63.5	1"1/2	79,38	36,5	64,29	17
<b>ZBBE632794</b>	6000 PSI	79.4	2"	96,82	44,45	80,16	21