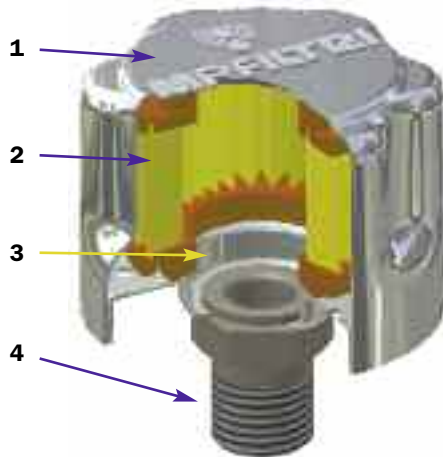


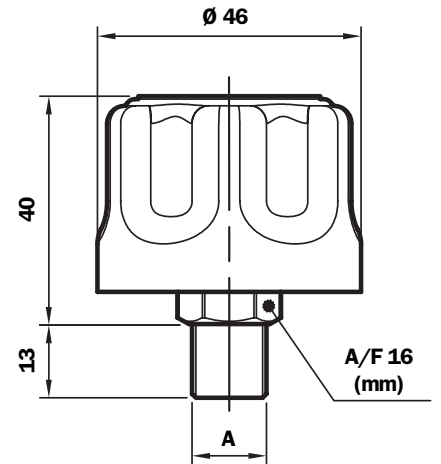
Dimensions

TA46G-N...P01

With filter



Threaded connection



TA46 G - N (Materials)

- 1 - Cover: Chrome plated steel
- 2 - Filter element: Impregnated paper
Polyurethane
- 3 - Flange: Galvanised Steel
- 4 - Threaded connection: Phosphated Steel

Flow rate with $\Delta p: 0,02$ bar

Filtration	l_N/min
3 μm	150
10 μm	200

Weight

TA 46: 0,110 kg

Connection	A
G	G 1/4"
N	1/4" NPT

Ordering information

Breather filter

	1	2	3
TA46	<input type="checkbox"/>	<input type="checkbox"/>	<input type="checkbox"/>
Example: TA46	G	03	P01

1 - Connection to reservoir

G	G 1/4"
N	1/4" NPT

3 - Options

P01	MP Filtri standard
------------	--------------------

2 - Filter element

03	3 μm - Impregnated paper
10	10 μm - Polyurethane

TA80.....P01

With filter



TA80.03.9P01

With anti-splash feature



TA80....1P01

With filter and pressurisation valve



Ordering information

Breather filter

TA80

Example: TA80

1	2	3	4	5
<input type="checkbox"/>	<input type="checkbox"/>	<input type="checkbox"/>	<input type="checkbox"/>	<input type="checkbox"/>
G	03	A	1	P01

1 - Connection to reservoir

<input type="checkbox"/>	G 3/4"
<input type="checkbox"/>	3/4" NPT

2 - Filter element

<input type="checkbox"/>	3 µm - Impregnated paper
<input type="checkbox"/>	10 µm - Polyurethane

3 - Seal

<input type="checkbox"/>	Without
<input type="checkbox"/>	NBR (pressurised only)

4 - Valves

<input type="checkbox"/>	Without
<input type="checkbox"/>	0,3 bar pressurisation valve
<input type="checkbox"/>	0,7 bar pressurisation valve
<input type="checkbox"/>	Anti-splash feature (only with filter element 3 µm)

5 - Options

<input type="checkbox"/>	P01 MP Filtri standard
--------------------------	------------------------

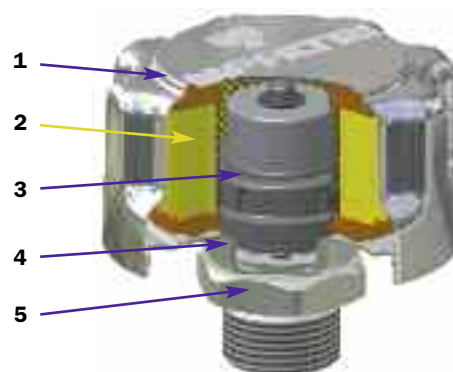
Flow rate with Δp: 0,02 bar

Filtration	I _N /min
3 µm	450
10 µm	550

Weight

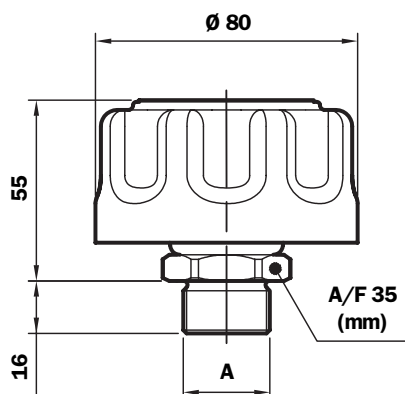
TA 80: 0,350 Kg

TA80



Dimensions

Threaded connection



Connection	A
G	G 3/4"
N	3/4" NPT

TA80 G (Materials)

- 1 - Cover: Chrome Plated Steel
- 2 - Filter element: Impregnated paper
Polyurethane
- 3 - Pressurisation valve: Nylon
Galvanised Steel
NBR
- 4 - Flange: Galvanised Steel
- 5 - Threaded connection: Galvanised Steel
- 6 - Anti-slosh feature: Galvanised Steel