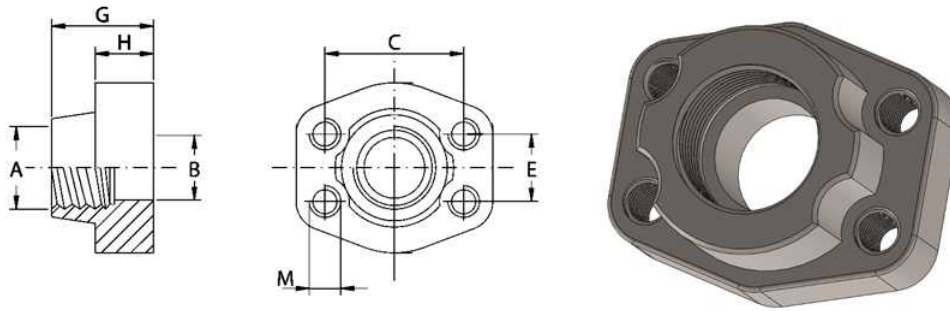


**BSP Female threaded counter-flange**

Stainless Steel AISI 316-L



Part nº	Serie	R1	Size	B	C	E	G	H	M
<b>ZBCRG30808</b>	3000 PSI	1/2" BSP	1/2"	13	38,1	17,48	36	16	M8
<b>ZBCRG31212</b>	3000 PSI	3/4" BSP	3/4"	19	47,63	22,23	36	18	M10
<b>ZBCRG31616</b>	3000 PSI	1" BSP	1"	25	52,37	26,19	38	18	M10
<b>ZBCRG32020</b>	3000 PSI	1"1/4 BSP	1"1/4	32	58,72	30,18	40	21	M10
<b>ZBCRG32424</b>	3000 PSI	1"1/2 BSP	1"1/2	38	69,85	35,71	45	25	M12
<b>ZBCRG33232</b>	3000 PSI	2" BSP	2"	51	77,77	42,88	45	25	M12
<b>ZBCRG34040</b>	3000 PSI	2"1/2 BSP	2"1/2	63	88,9	50,8	50	25	M12
<b>ZBCRG34848</b>	3000 PSI	3" BSP	3"	73	106,38	61,93	50	27	M16
<b>ZBCRG35656</b>	3000 PSI	3"1/2 BSP	3"1/2	89	120,65	69,85	48	27	M16
<b>ZBCRG36464</b>	3000 PSI	4" BSP	4"	99	130,18	77,77	48	27	M16
<b>ZBCRG60808</b>	6000 PSI	1/2" BSP	1/2"	13	40,49	18,24	36	16	M8
<b>ZBCRG61212</b>	6000 PSI	3/4" BSP	3/4"	19	50,8	23,8	35	21	M10
<b>ZBCRG61616</b>	6000 PSI	1" BSP	1"	25	57,15	27,76	42	25	M12
<b>ZBCRG62020</b>	6000 PSI	1"1/4 BSP	1"1/4	32	66,68	31,75	45	27	M14
<b>ZBCRG62424</b>	6000 PSI	1"1/2 BSP	1"1/2	38	79,38	36,5	50	30	M16
<b>ZBCRG63232</b>	6000 PSI	2" BSP	2"	51	96,82	44,45	65	37	M20