



PIPE CLAMPS **TWIN SERIES**

DIN 3015, PART 3

PIPE CLAMPS
TWIN SERIES

55

CLAMP BODY STANDARD MATERIALS



Polypropylene
Colour **Blue**
Code **PP**

**OTHER COLOURS
AVAILABLE ON DEMAND!**



Polyamide
Colour **Black**
Code **PA**



Rubber Elastomer
Colour **Black**
Code **GM**



Self-extinguishing Polypropylene
Colour **White**
Code **AU**



Aluminium
Colour **Natural**
Code **AL**

DIFFERENT DAMETERS AND MATERIALS AVAILABLE ON REQUEST.

ON REQUEST, ANY CLAMP BODY CAN BE SUPPLIED
WITH TWO DIFFERENT DIAMETERS.

Clamp body internal surface:
smooth (AL CF, CF1 L to CF5 L)
knurled (CF1 to CF5)

For Material Characteristics, see Technical Appendix (page 147).

COMPONENTS AND ACCESSORIES STANDARD MATERIALS

Carbon Steel S 235 JR with finishing surface in white zinc-coated
Fe Zn c8 II.

Untreated are available on request.

Stainless Steel Inox 316L (X2 CrNiMo 17-12-2) 1.4404
marked with X identification code.

The **BB** track is treated with zinc-plating SENDZIMIR.
The **BBP** track is treated with zinc-coating Fe Zn c8 II.

Metric thread: code **M**
UNC thread: code **UNC**.

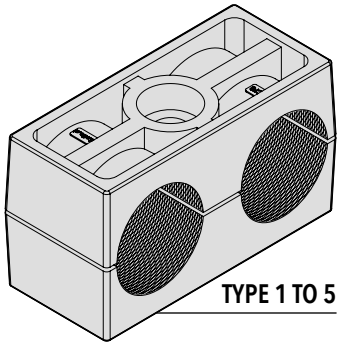
For Material Characteristics, see Technical Appendix (page 147).





CF CLAMP BODY

TWO CLAMP HALVES

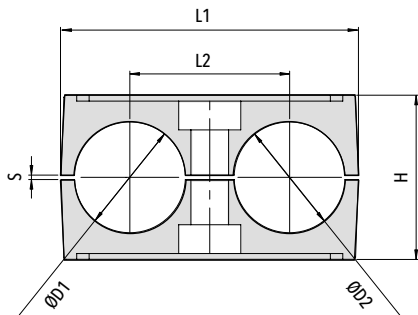


TYPE 1 TO 5

DIN 3015, PART 3
 PIPE CLAMPS
 TWIN SERIES

56

Code CF (Material PP - PA - GM - AU)



ORDER CODE

CLAMP BODY CODE	OUTSIDE DIAMETER (mm)	MATERIAL
-----------------	-----------------------	----------

EXAMPLE

Clamp body type: 3
 Material: PP
 Outside diameter: 24 mm
 Order code: **CF3 - 24 - PP**

Code	O.D. ØD1 / ØD2		L1	L2	H	S	Width
	mm	nominal bore pipe in					
CF1	6						
	6,4	1/4"					
	8	5/16"					
	9,5	3/8"	36 (1.42")	20 (.79")	27 (1.06")	0,6 (.02")	30 (1.18")
	10	1/8"					
	12						
CF2	12,7	1/2"					
	13,5	1/4"					
	14		53 (2.09")	29 (1.14")	27 (1.06")	0,8 (.03")	30 (1.18")
	15						
	16	5/8"					
	17,2	3/8"					
	18						
	19	3/4"					
CF3	20						
	21,3	1/2"					
	22	7/8"	67 (2.64")	36 (1.42")	37 (1.46")	1 (.04")	30 (1.18")
	23						
	24						
	25						
CF4	25,4	1"					
	26						
	26,9	3/4"	81 (3.19")	45 (1.77")	42 (1.65")	1 (.04")	30 (1.18")
	28						
CF5	30						
	32	1.1/4"					
	33,7	1"					
	35		106 (4.17")	56 (2.20")	53 (2.09")	1,2 (.05")	30 (1.18")
	38	1.1/2"					
	40						
42,4	1.1/4"						

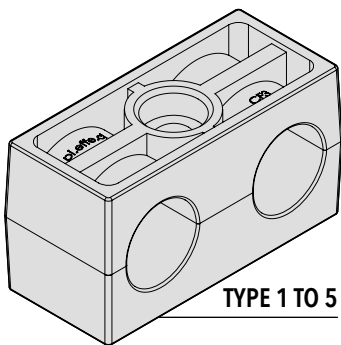


CF L CLAMP BODY

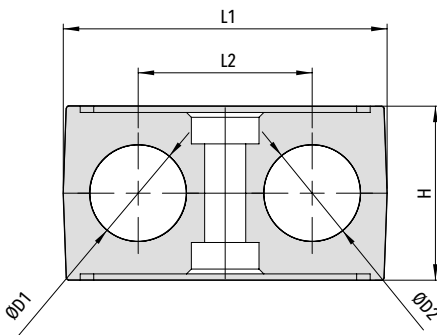
CLAMPS SMOOTH INSIDE
SURFACE WITHOUT
TENSION CLEARANCE

TWO CLAMP HALVES

SUITABLE FOR THE INSTALLATION
OF HOSES OR CABLES



Code CF L (Material PP - PA - GM - AU)



Code	O.D. ØD1 / ØD2		L1	L2	H	Width
	mm	nominal bore pipe in				
CF1 L	6					
	6,4	1/4"				
	8	5/16"				
	9,5	3/8"	36 (1.42")	20 (.79")	26,5 (1.04")	30 (1.18")
	10	1/8"				
CF2 L	12					
	12,7	1/2"				
	13,5	1/4"				
	14		53 (2.09")	29 (1.14")	26,2 (1.03")	30 (1.18")
	15					
	16	5/8"				
	17,2	3/8"				
	18					
	19	3/4"				
	20					
CF3 L	21,3	1/2"				
	22	7/8"				
	23		67 (2.64")	36 (1.42")	36 (1.42")	30 (1.18")
	24					
	25					
CF4 L	25,4	1"				
	26					
	26,9	3/4"	81 (3.19")	45 (1.77")	41 (1.60")	30 (1.18")
	28					
	30					
CF5 L	32	1.1/4"				
	33,7	1"				
	35					
	38	1.1/2"	106 (4.17")	56 (2.20")	51,8 (2.04")	30 (1.18")
	40					
42,4	1.1/4"					

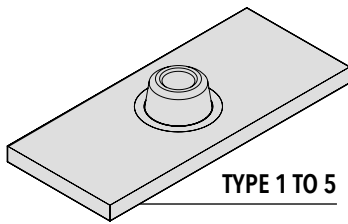
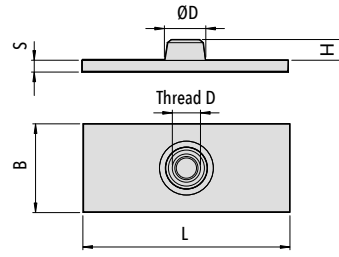
DIN 3015, PART 3
PIPE CLAMPS
TWIN SERIES

ORDER EXAMPLE

CF2 L-15 PP



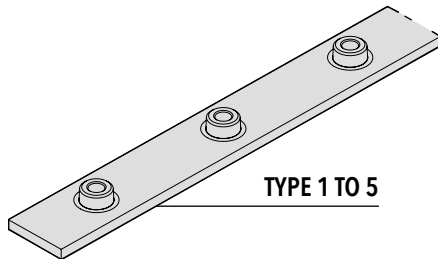
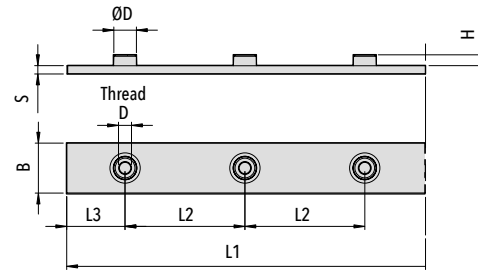
P CF SINGLE WELD PLATE



Code	L	B	S	H	ØD	Thread D
P CF1 XP CF1	37 (1.46")	30 (1.18")	3 (.12")	6,5 (.26")	12 (.47")	M6 (1/4-20 UNC)
P CF2 XP CF2	55 (2.17")	30 (1.18")	5 (.20")	6 (.24")	14 (.55")	M8 (5/16-18 UNC)
P CF3 XP CF3	70 (2.76")	30 (1.18")	5 (.20")	6 (.24")	14 (.55")	M8 (5/16-18 UNC)
P CF4 XP CF4	85 (3.35")	30 (1.18")	5 (.20")	6 (.24")	14 (.55")	M8 (5/16-18 UNC)
P CF5 XP CF5	110 (4.33")	30 (1.18")	5 (.20")	6 (.24")	14 (.55")	M8 (5/16-18 UNC)

Code **P CF** (Carbon Steel S 235 JR)
Code **XP CF** (Stainless Steel AISI 316L).

PM CF MULTIPLE WELD PLATE

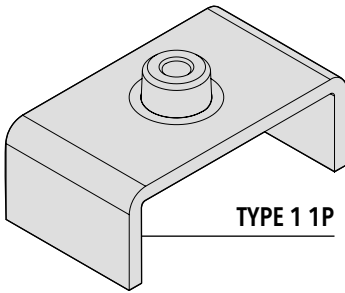
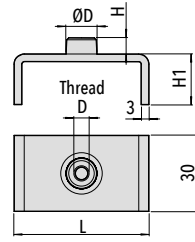


Code	Nr. of Clamps	L1	L2	L3	B	S	H	ØD	Thread D
PM CF1 XPM CF1	5	200 (7.87")	40 (1.57")	20 (.79")	30 (1.18")	3 (.12")	6,5 (.26")	12 (.47")	M6 (1/4-20 UNC)
PM CF2 XPM CF2	5	288 (11.34")	58 (2.28")	28 (1.10")	30 (1.18")	5 (.20")	6 (.24")	14 (.55")	M8 (5/16-18 UNC)
PM CF3 XPM CF3	5	358 (14.09")	72 (2.83")	35 (1.37")	30 (1.18")	5 (.20")	6 (.24")	14 (.55")	M8 (5/16-18 UNC)
PM CF4 XPM CF4	5	444 (17.48")	90 (3.54")	42 (1.65")	30 (1.18")	5 (.20")	6 (.24")	14 (.55")	M8 (5/16-18 UNC)
PM CF5 XPM CF5	5	558 (21.97")	112 (4.41")	55 (2.16")	30 (1.18")	5 (.20")	6 (.24")	14 (.55")	M8 (5/16-18 UNC)

Code **PM CF** (Carbon Steel S 235 JR)
Code **XPM CF** (Stainless Steel AISI 316L).



PM CF 1P SINGLE SPACED PLATE



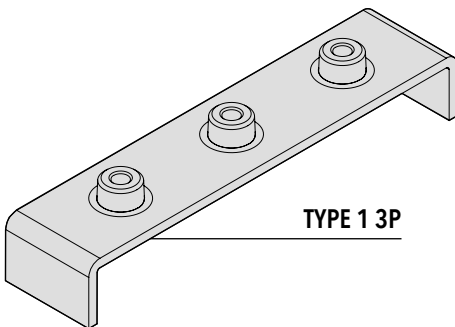
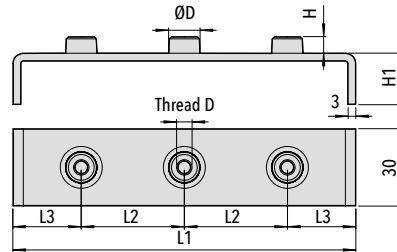
TYPE 1 1P

Code **PM CF 1P** (Carbon Steel S 235 JR)
Code **XPM CF 1P** (Stainless Steel AISI 316L).

Code	L1	H	H1	ØD	Thread D
PM CF1 1P XPM CF1 1P	53 (2.08")	6,5 (.26")	20 (.79")	12 (.47")	M6 (1/4-20 UNC)

PM CF 3P MULTIPLE SPACED PLATE

FOR N.3 CLAMPS



TYPE 1 3P

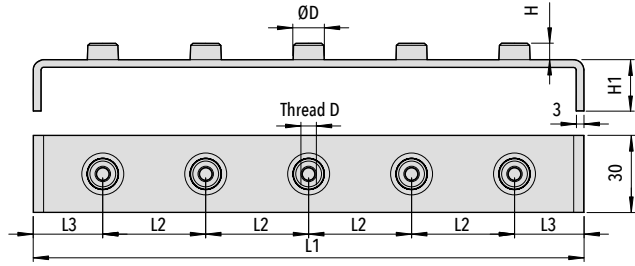
Code **PM CF 3P** (Carbon Steel S 235 JR)
Code **XPM CF 3P** (Stainless Steel AISI 316L).

Code	L1	L2	L3	H	H1	ØD	Thread D
PM CF1 3P XPM CF1 3P	133 (5.23")	40 (1.57")	26,5 (1.04")	6,5 (.26")	20 (.79")	12 (.47")	M6 (1/4-20 UNC)

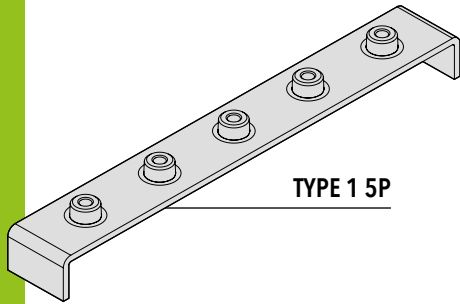


PM CF 5P MULTIPLE SPACED PLATE

FOR N.5 CLAMPS



Code	L1	L2	L3	H	H1	ØD	Thread D
PM CF1 5P XPM CF1 5P	213 (8.38")	40 (1.57")	26,5 (1.04")	6,5 (.26")	20 (.79")	12 (.47")	M6 (1/4-20 UNC)

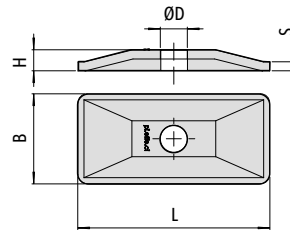


Code **PM CF 5P** (Carbon Steel S 235 JR)
Code **XPM CF 5P** (Stainless Steel AISI 316L).

DIN 3015, PART 3
PIPE CLAMPS
TWIN SERIES

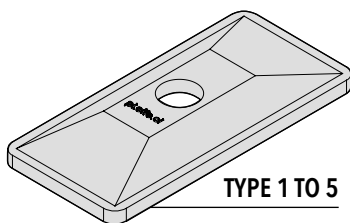
60

PS CF UPPER PLATE



Code	L	B	H	S	ØD
PS CF1 XPS CF1	34,5 (1.35")	30 (1.18")	7 (.28")	3 (.12")	7 (.28")
PS CF2 XPS CF2	52 (2.05")	30 (1.18")	7 (.28")	3 (.12")	9 (.35")
PS CF3 XPS CF3	64 (2.51")	30 (1.18")	7 (.28")	3 (.12")	9 (.35")
PS CF4 XPS CF4	79 (3.11")	30 (1.18")	7 (.28")	3 (.12")	9 (.35")
PS CF5 XPS CF5	102,5 (4.03")	30 (1.18")	7 (.28")	3 (.12")	9 (.35")

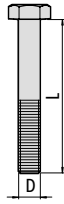
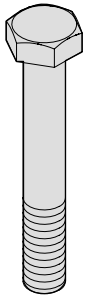
Code **PS CF** (Carbon Steel S 235 JR)
Code **XPS CF** (Stainless Steel AISI 316L).





TE CF HEXAGON HEAD BOLT

ISO 4014 / 4017
 FOR USE WITH UPPER PLATE **PS CF**

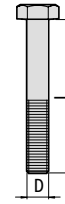
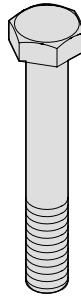


Code	Thread (D x L)
TE CF1 XTE CF1	M6x35 (1/4-20 UNCx1-3/8")
TE CF2 XTE CF2	M8x35 (5/16-18 UNCx1-3/8")
TE CF3 XTE CF3	M8x45 (5/16-18 UNCx1-3/4")
TE CF4 XTE CF4	M8x50 (5/16-18 UNCx2")
TE CF5 XTE CF5	M8x60 (5/16-18 UNCx2-1/2")

Code **TE CF** (Steel 8.8)
 Code **XTE CF** (Stainless Steel A4)

TER CF HEXAGON HEAD BOLT

ISO 4014 / 4017
 FOR USE WITH FLAT WASHER **RP CF**

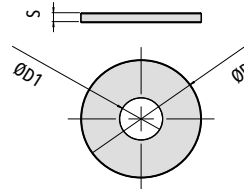
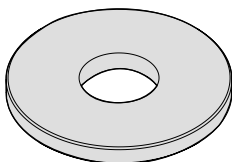


Code	Thread (D x L)
TER CF1 XTER CF1	M6x30 (1/4-20 UNCx1-1/4")
TER CF2 XTER CF2	M8x30 (5/16-18 UNCx1-1/4")
TER CF3 XTER CF3	M8x40 (5/16-18 UNCx1-1/2")
TER CF4 XTER CF4	M8x45 (5/16-18 UNCx1-7/8")
TER CF5 XTER CF5	M8x55 (5/16-18 UNCx2-3/16")

Code **TER CF** (Steel 8.8)
 Code **XTER CF** (Stainless Steel A4)

RP CF FLAT WASHER

ISO 7089
 FOR USE WITH HEXAGON
 HEAD BOLT **TER CF**



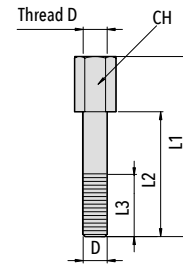
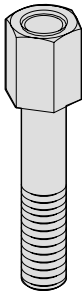
Code	ØD	ØD1	S
RP CF1 XRPCF1	22 (.86")	6,5 (.26")	2 (.08")
RP CF2-5 XRPCF2-5	22 (.86")	8,5 (.33")	2 (.08")

Code **RP CF** (Carbon Steel S 235 JR)
 Code **XRPCF** (Stainless Steel A4)



VA CF HIGH HEXAGON HEAD BOLT

FOR STACKED CLAMPS



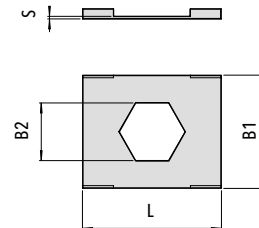
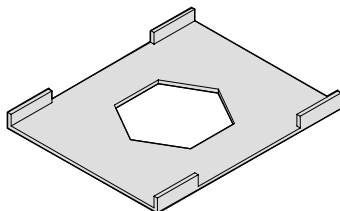
Code	Thread D	L1	L2	L3	CH
VA CF1 XVA CF1	M6 (1/4-20 UNC)	34 (1,33")	20 (.78")	14 (.55")	11 (.43")
VA CF2 XVA CF2	M8 (5/16-18 UNC)	33 (1,30")	20 (.78")	15 (.59")	12 (.47")
VA CF3 XVA CF3	M8 (5/16-18 UNC)	44 (1,73")	29 (1,14")	15 (.59")	12 (.47")
VA CF4 XVA CF4	M8 (5/16-18 UNC)	49 (1,92")	34 (1,33")	15 (.59")	12 (.47")
VA CF5 XVA CF5	M8 (5/16-18 UNC)	61 (2,4")	46 (1,81")	15 (.59")	12 (.47")

Code **VA CF** (Carbon Steel S 235 JR)Code **XVA CF** (Stainless Steel AISI 316L)

62

PB CF LOCKING PLATE

FOR STACKED CLAMPS



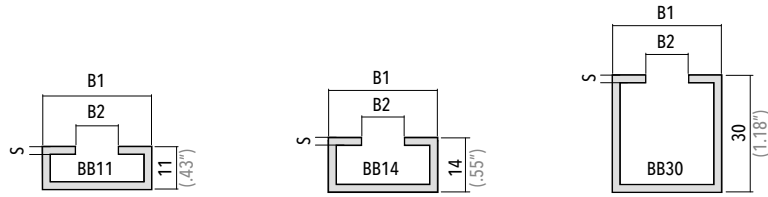
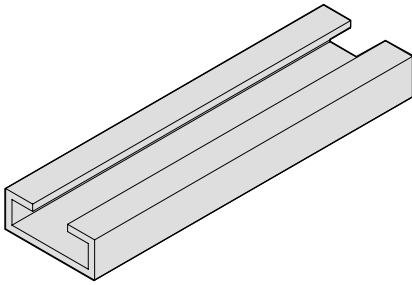
Code	L	B1	B2	S
PB CF1 XPB CF1	27 (1.06")	22 (.86")	11,2 (.44")	0,5 (.02")
PB CF2-5 XPB CF2-5	27 (1.06")	22 (.86")	12,2 (.48")	0,5 (.02")

Code **PB CF** (Carbon Steel S 235 JR)Code **XPB CF** (Stainless Steel AISI 316L)



BB MOUNTING RAIL

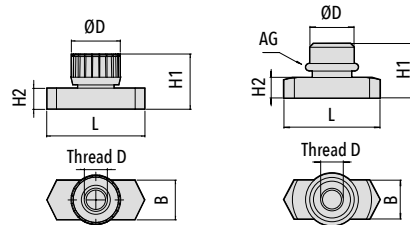
AVAILABLE HEIGHTS 11 / 14 / 30 mm
 AVAILABLE LENGTH 2 m



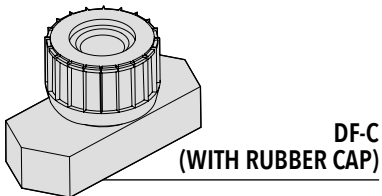
Code	B1	B2	S
BB XBB	28 (1.10")	11 (.43")	2 (.08")

Code **BB** (Steel DX51D)
 Code **XBB** (Stainless Steel AISI 316L)

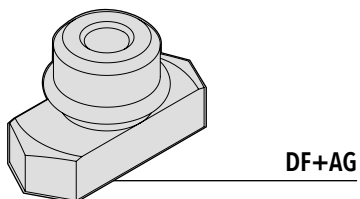
DF+AG / DF-C RAIL NUT WITH RUBBER RING



Code	Thread D	L	B	H1	H2	ØD	AG
------	----------	---	---	----	----	----	----



DF/DF-C XDF	M6 (1/4-20 UNC)	25,5 (1")	10,4 (.41")	14,5 (.57")	5,5 (.22")	11,8 (.46")	10x2,2 (.39"x.08")
------------------------------	--------------------	--------------	----------------	----------------	---------------	----------------	-----------------------



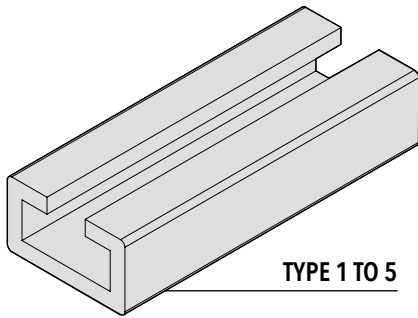
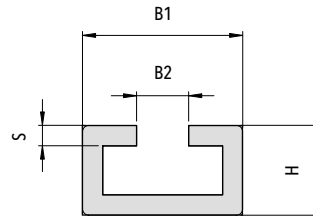
DF XDF	M8 (5/16-18 UNC)	25,5 (1")	10,4 (.41")	13,5 (.53")	5 (.20")	13,8 (.54")	10x2,2 (.39"x.08")
-------------------------	---------------------	--------------	----------------	----------------	-------------	----------------	-----------------------

Code **DF / DF-C** (Steel C20)
 Code **XDF** (Stainless Steel AISI 316L)



BB P MOUNTING HEAVY RAIL

AVAILABLE LENGTHS 1 m / 2 m



TYPE 1 TO 5

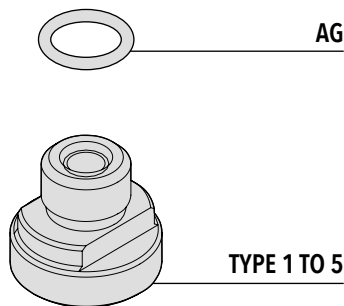
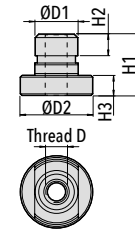
Code	B1	B2	H	S
BB P XBB P	40 (1.57")	13 (.51")	22 (.86")	5 (.19")

Code **BB P** (Carbon Steel S 235 JR)
Code **XBB P** (Stainless Steel AISI 316L)

64

DF PS+AG RAIL NUT WITH RUBBER RING

FOR MOUNTING HEAVY RAIL



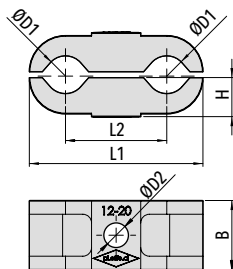
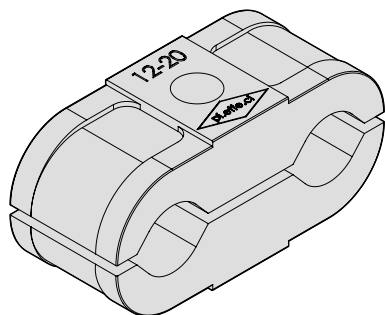
TYPE 1 TO 5

Code	ØD1	ØD2	H1	H2	H3	Thread D	AG
DF1 PS XDF1 PS + AG	11,8 (.46")	20 (.79")	17 (.67")	6 (.24")	5,6 (.22")	M6 (1/4-20 UNC)	10x2,2 (.39"x.09")
DF2-5 PS XDF2-5 PS + AG	13,6 (.53")	20 (.79")	16,5 (.65")	5,2 (.20")	5,5 (.21")	M8 (5/16-18 UNC)	10x2,2 (.39"x.09")

Code **DF PS** (Carbon Steel S 235 JR)
Code **XDF PS** (Stainless Steel AISI 316L)

AL CF CLAMP BODY

TWO CLAMP HALVES
(FOR PIPES AND HOSES)



PIPE CLAMPS **TWIN SERIES**
Order Codes and Dimensions (mm/in)



Code	Outside pipe diameter	L1	L2	B	ØD1	ØD2	H
AL CF 12-20	12-20 (.47-.79")	60 (2.36")	35 (1.38")	24 (.94")	12-20 (.47-.79")	8,5 (.33")	13,5 (.53")

ORDER EXAMPLE

AL CF 12-20

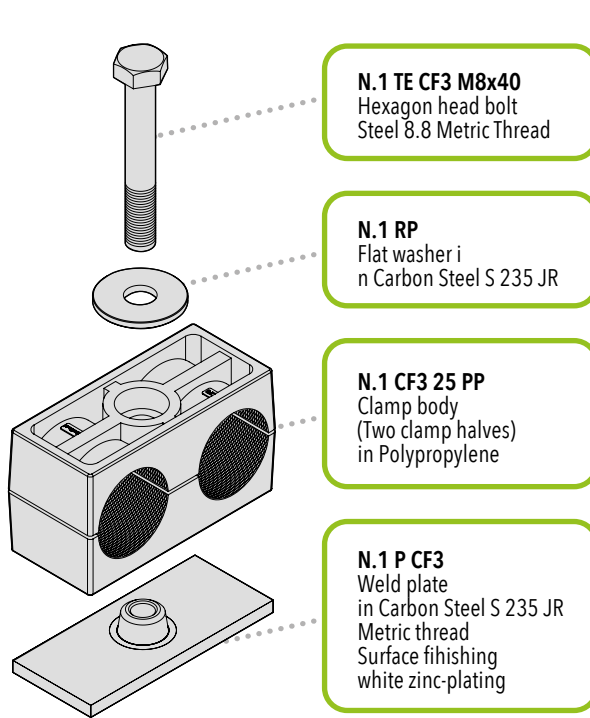
FOR USE WITH M8 SCREW
(length depending on application features)

Code AL CF (Material AL)

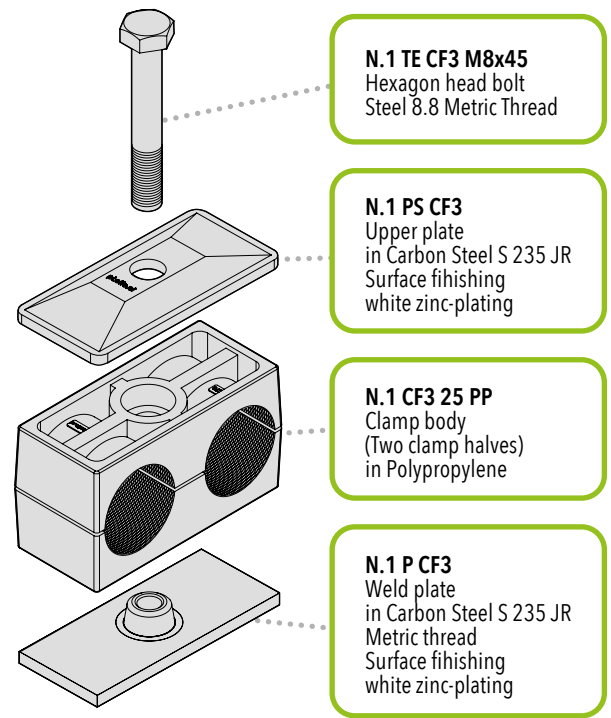
PIPE CLAMPS
TWIN SERIES

**MOUNTING EXAMPLE 01**

Mounting Example of complete clamp CF3 in Polypropylene for pipe with outside diameter of 25 mm with single weld plate and flat washer.

**MOUNTING EXAMPLE 02**

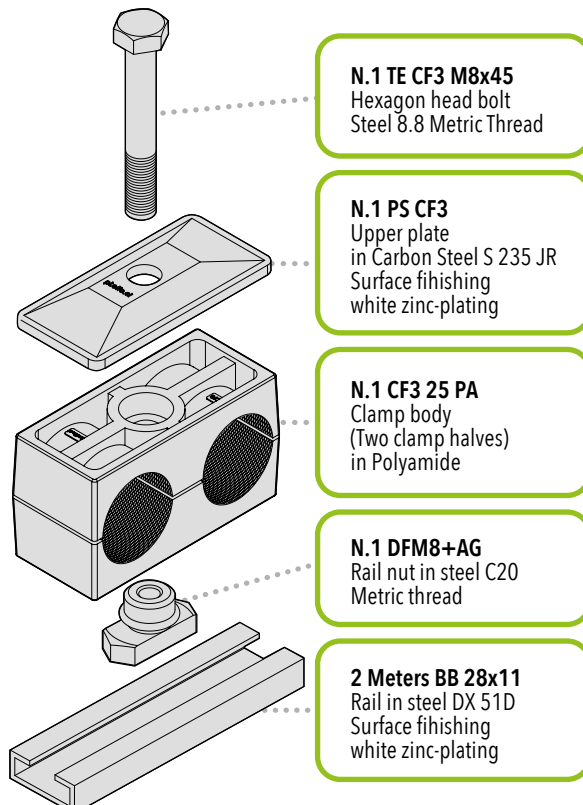
Mounting Example of complete clamp CF3 in Polypropylene for pipe with outside diameter of 25 mm with single weld plate and upper plate.



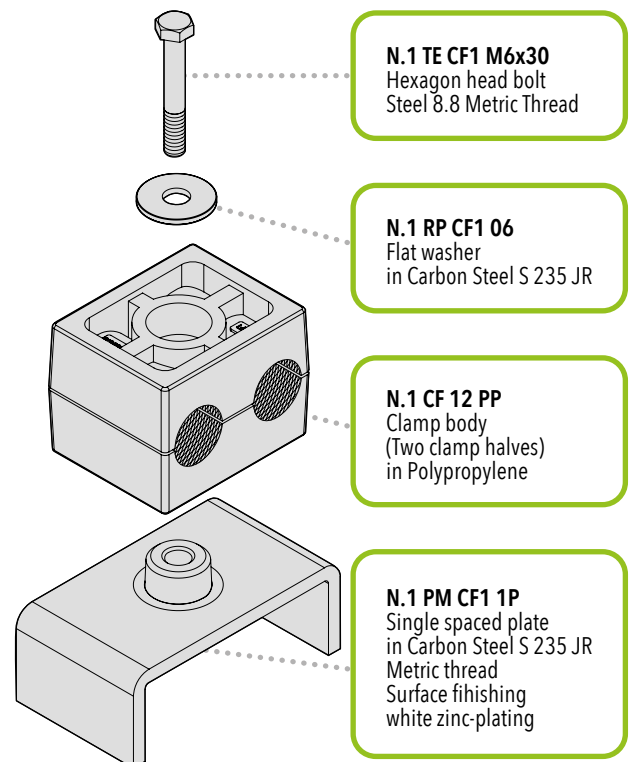
66

MOUNTING EXAMPLE 03

Mounting Example of complete stacked clamp CF3 in Polyamide for pipe with outside diameter of 25 mm, mounting rail nut.

**MOUNTING EXAMPLE 04**

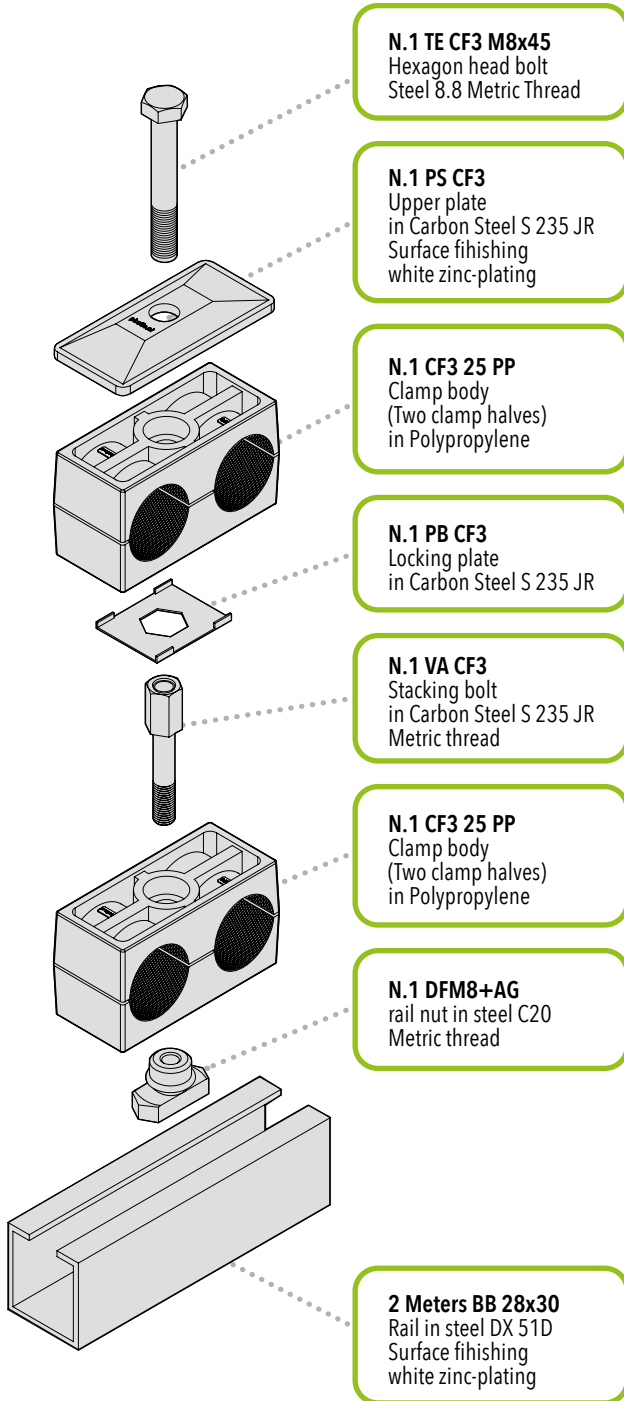
Mounting Example of complete clamp CF1 in Polypropylene for pipe with outside diameter of 12 mm, single spaced plate with upper plate.





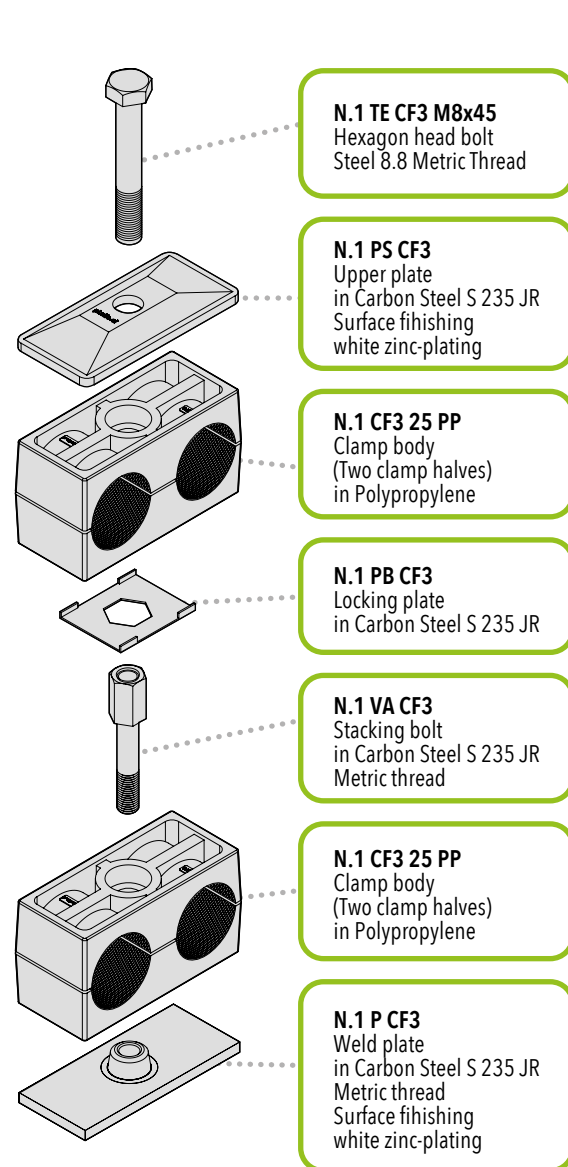
MOUNTING EXAMPLE 05

Mounting Example of complete stacked clamp CF3 in Polypropylene for pipe with outside diameter of 25 mm, mounting rail nut.



MOUNTING EXAMPLE 06

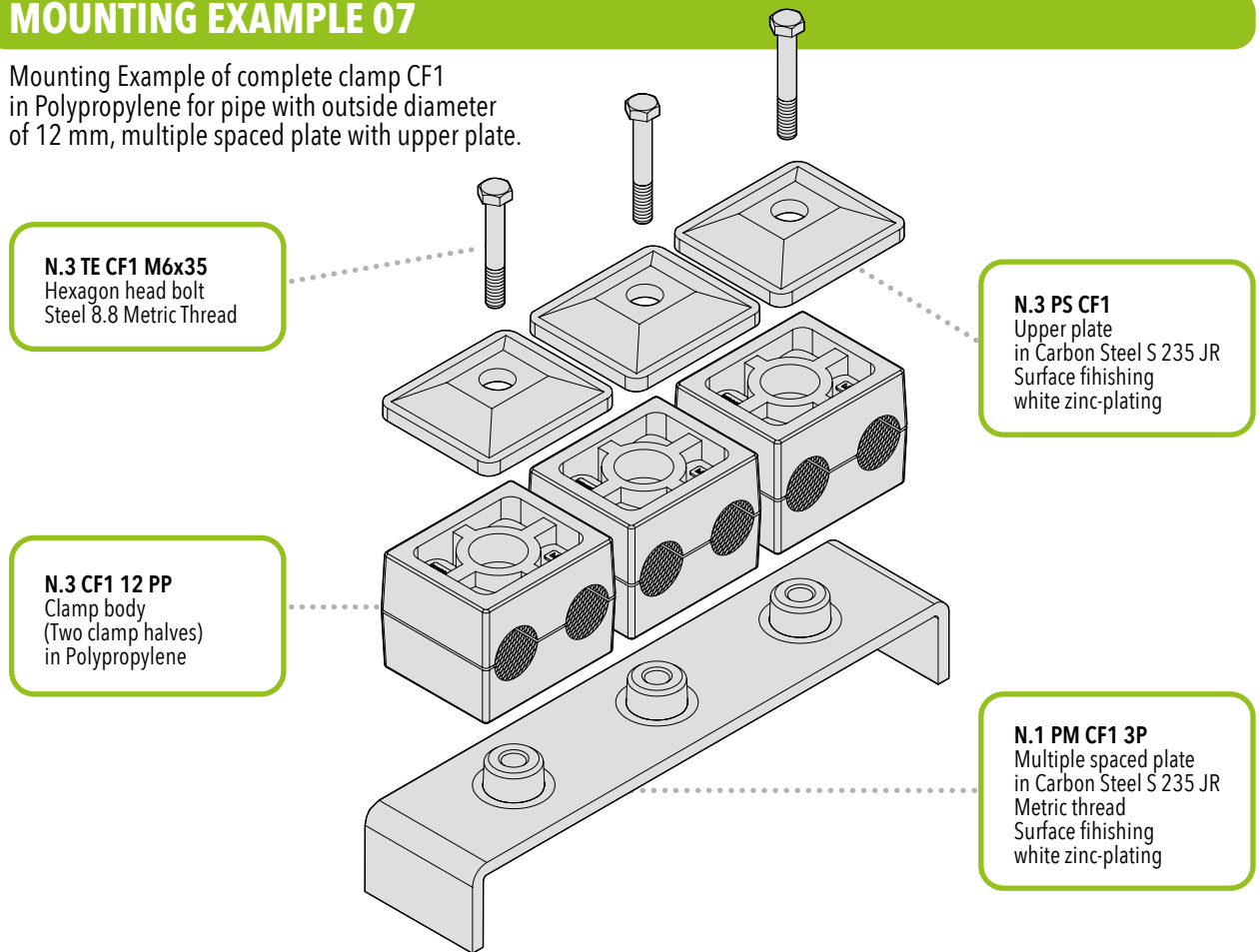
Mounting Example of complete stacked clamp CF3 in Polypropylene for pipe with outside diameter of 25 mm, with single weld plate and upper plate.





MOUNTING EXAMPLE 07

Mounting Example of complete clamp CF1 in Polypropylene for pipe with outside diameter of 12 mm, multiple spaced plate with upper plate.



N.3 TE CF1 M6x35
 Hexagon head bolt
 Steel 8.8 Metric Thread

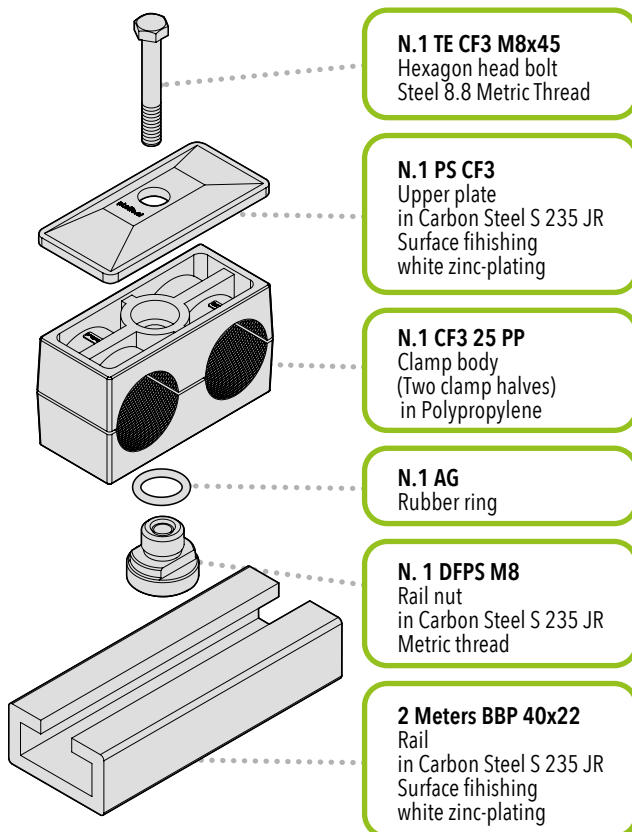
N.3 PS CF1
 Upper plate
 in Carbon Steel S 235 JR
 Surface finishing
 white zinc-plating

N.3 CF1 12 PP
 Clamp body
 (Two clamp halves)
 in Polypropylene

N.1 PM CF1 3P
 Multiple spaced plate
 in Carbon Steel S 235 JR
 Metric thread
 Surface finishing
 white zinc-plating

MOUNTING EXAMPLE 08

Complete clamp CF3 in Polypropylene for pipe with outside diameter of 25 mm, mounting special rail nut.



N.1 TE CF3 M8x45
 Hexagon head bolt
 Steel 8.8 Metric Thread

N.1 PS CF3
 Upper plate
 in Carbon Steel S 235 JR
 Surface finishing
 white zinc-plating

N.1 CF3 25 PP
 Clamp body
 (Two clamp halves)
 in Polypropylene

N.1 AG
 Rubber ring

N.1 DFPS M8
 Rail nut
 in Carbon Steel S 235 JR
 Metric thread

2 Meters BBP 40x22
 Rail
 in Carbon Steel S 235 JR
 Surface finishing
 white zinc-plating