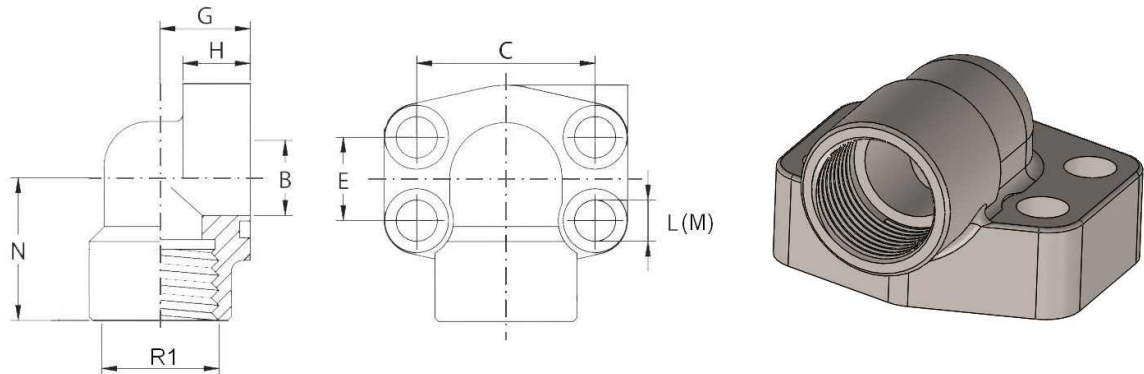


SAE Flanges

Threaded flanges

90° BSP female threaded flange

Stainless Steel AISI 316-L



Part n°	Serie	R1	Size	O'Ring	B	C	E	G	H	L	M	N
ZB90RG30808	3000 PSI	1/2" BSP	1/2"	4075	13	38,1	17,48	36	16	9	M8x30	37
ZB90RG31212	3000 PSI	3/4" BSP	3/4"	4100	19	47,63	22,23	36	18	11	M10x35	38
ZB90RG31616	3000 PSI	1" BSP	1"	4131	25	52,37	16,19	38	18	11	M10x35	43
ZB90RG32020	3000 PSI	1"1/4 BSP	1"1/4	4150	32	58,72	30,18	40	21	11,5	M10x40	51
ZB90RG32424	3000 PSI	1"1/2 BSP	1"1/2	4187	38	69,85	35,71	45	25	13,5	M12x45	56
ZB90RG33232	3000 PSI	2" BSP	2"	4225	51	77,77	42,88	45	25	13,5	M12x45	65
ZB90RG60808	6000 PSI	1/2" BSP	1/2"	4075	13	40,49	18,24	36	16	9	M8x30	37
ZB90RG61212	6000 PSI	3/4" BSP	3/4"	4100	19	50,8	23,8	35	21	11	M10x40	43
ZB90RG61616	6000 PSI	1" BSP	1"	4131	25	57,15	27,76	42	25	13	M12x45	51
ZB90RG62020	6000 PSI	1"1/4 BSP	1"1/4	4150	32	66,68	31,75	45	27	15	M14x45	56
ZB90RG62424	6000 PSI	1"1/2 BSP	1"1/2	4187	38	79,38	36,5	50	30	17	M16x50	65