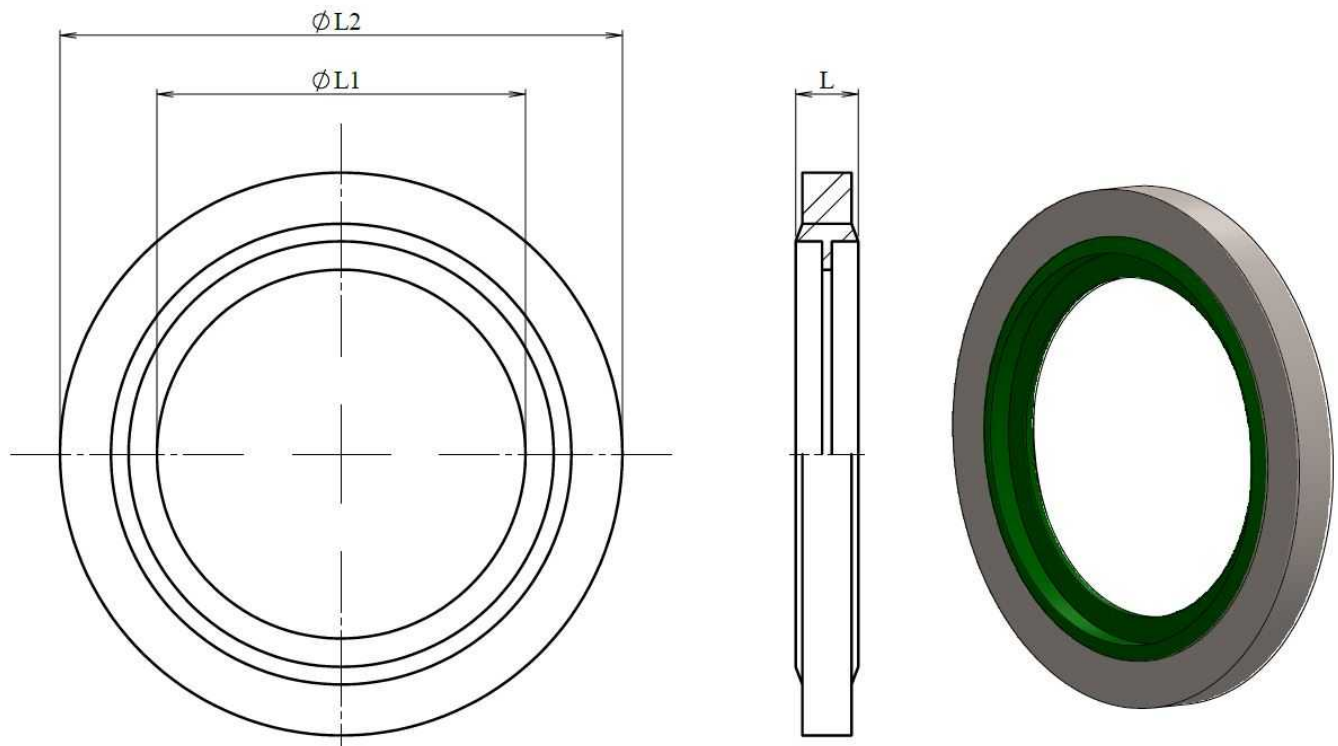


### BSP Bonded Seal FKM Self-centering



**Materials** ·Washer: Stainless steel 316L  
 ·O'ring: FKM

**Working temperature** From -10°C to +200°C

Part n°	R1	Working Pressure (bar)	L	L1	L2
ZVT21002	1/8" BSP	1500	2	10,37	15,88
ZVT21004	1/4" BSP	1550	2	13,74	20,57
ZVT21006	3/8" BSP	1260	2	17,28	23,8
ZVT21008	1/2" BSP	1150	2	21,54	28,58
ZVT21010	5/8" BSP	1250	2,5	23,49	31,75
ZVT21012	3/4" BSP	1060	2	27,5	34,93
ZVT21016	1" BSP	810	2,5	33,89	42,8
ZVT21020	1" 1/4 BSP	690	2,5	42,93	52,38
ZVT21024	1" 1/2 BSP	690	2,5	48,44	58,6
ZVT21032	2" BSP	700	2,5	60,58	73,3
ZVT21040	2" 1/2 BSP	680	3,25	76,8	90,17