

# Series LEN



## LEN (Materials)

- Flange/Threaded body: Aluminium
- Tube: Brass (AISI 304 on request)
- Float: Nylon foam (AISI 316 on request)
- O-Ring: NBR
- Circlip: Phosphor bronze
- Contact: N.C. reed (N.O. on request)
- Protection rating: IP65
- Max switching capacity: 80 W
- Max switching current: 1 A
- Max switching voltage: 250 Vac
- Fluid specific gravity: > 0.75

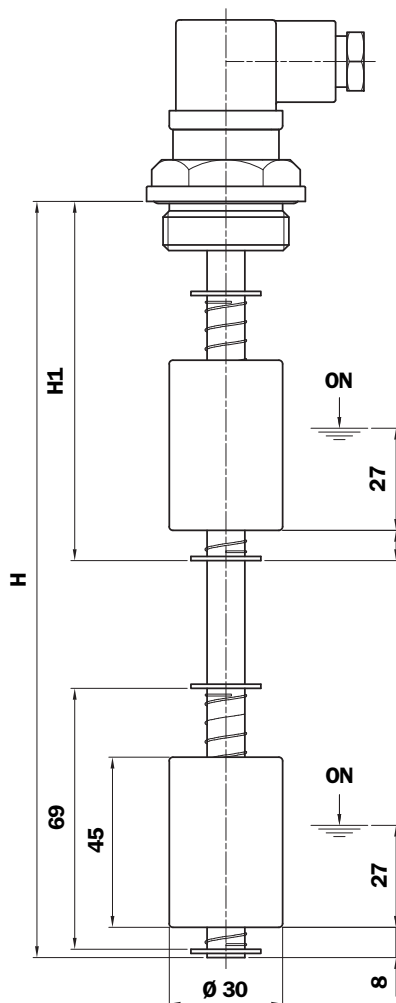
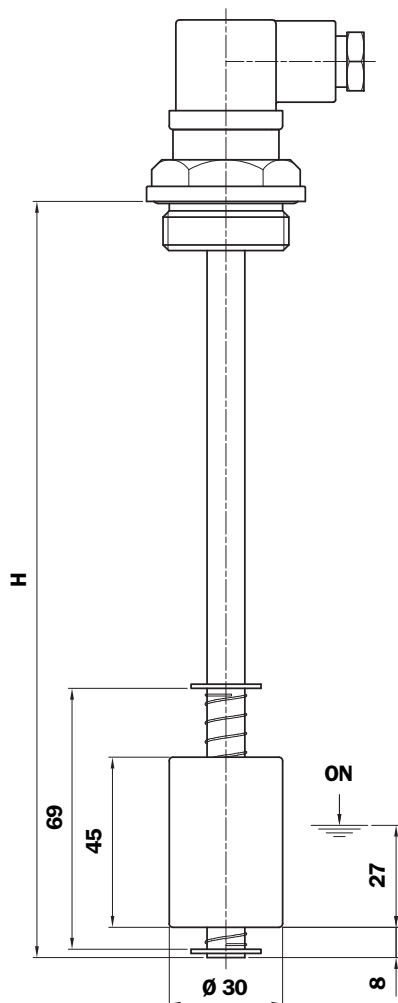
## Weight

185 gr (for 1 float L= 150 mm)

230 gr (for 2 floats L= 200 mm)

LEN 1 Float

LEN 2 Floats

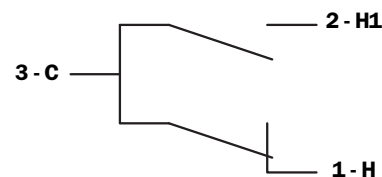


Functional diagram  
LEN 1 Float



To invert the contact status from N.O. to N.C. and vice versa, simply invert the float.

Functional diagram  
LEN 2 Floats



To invert the contact status from N.O. to N.C. and vice versa, simply invert the float.

Length	H mm	H1 mm
100	100	-
150	150	-
200	200	95
250	250	105
300	300	105
350	350	115
400	400	115
500	500	125

# Ordering information LEN

## Electrical level indicator

# LEN

Example: LEN

<b>1</b>	<b>2</b>	<b>3</b>	<b>4</b>	<b>5</b>	<b>6</b>	<b>7</b>	<b>8</b>	<b>9</b>
<input type="checkbox"/>	<input type="checkbox"/>	<input type="checkbox"/>	<input type="checkbox"/>	<input type="checkbox"/>	<input type="checkbox"/>	<input type="checkbox"/>	<input type="checkbox"/>	<input type="checkbox"/>
<b>A</b>	<b>200</b>	<b>2</b>	<b>A</b>	<b>1</b>	<b>A</b>	<b>F</b>	<b>S</b>	<b>P01</b>

### 1 - Tube material

**A** Brass

### 2 - Length

- 100**
- 150**
- 200**
- 250**
- 350**
- 400**
- 500**

### 3 - Number of float

- 1** Nr. 1 float
- 2** Nr. 2 floats (starting from length 200)

### 4 - Float material

**A** Nylon foam

### 5 - Contact

**1** N.C.

### 6 - Seal

**A** NBR

### 7 - Type of fixing

- F** 3 holes flange
- G** G 1" thread connection

### 8 - Electrical connection

**S** DIN 43650 connector

### 9 - Option

- P01** MP Filtri standard
- Pxx** On request

Note: Versions in stainless steel or different lengths from those indicated are available.

**For customization features other than those indicated on this page, contact the Technical and Sales Department**

.....

.....

.....

.....

.....

.....

.....

.....

.....

.....

.....

.....

.....

.....

.....

.....

.....

.....

.....

.....

.....

.....

**MP Filtri** - The filter functions as described in this bulletin are valid exclusively for original MP Filtri filter elements and replacement parts. All rights reserved

The data in this publication are purely guideline. MP Filtri reserves the right to make changes to the models described herein at any time it deems fit in relation to technical or commercial requirements. The colours of the products shown on the cover are purely guideline. Copyright. All rights reserved.