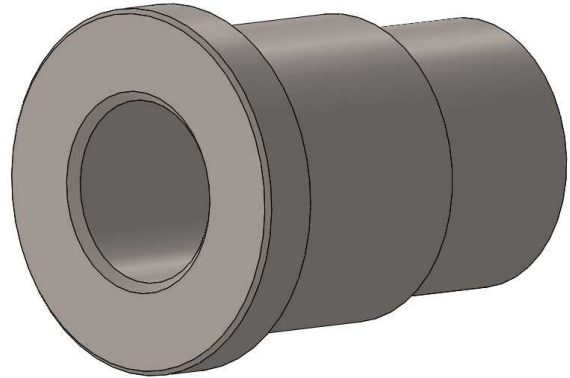
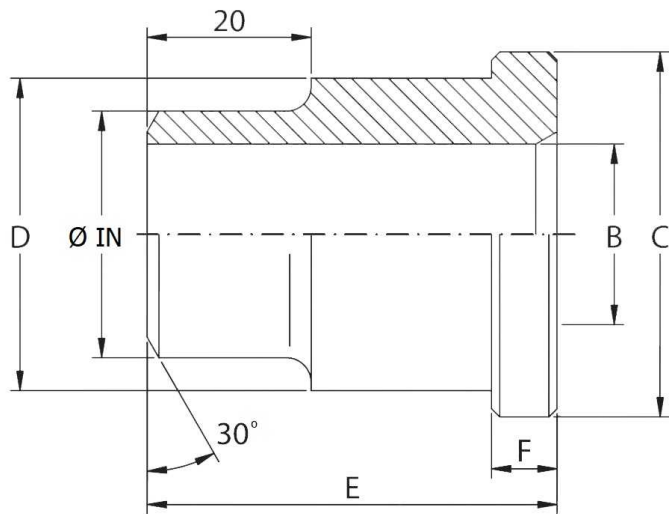


**Counter-flange welding adaptor for metric tube**

Stainless Steel AISI 316-L



Part nº	Serie	Ø outer	Size	B	C	D	E	F
<b>ZBSM3008016</b>	3000 PSI	16	1/2"	12	30,2	24	41	6,73
<b>ZBSM3012025</b>	3000 PSI	25	3/4"	19	38,1	32	50	6,73
<b>ZBSM3016030</b>	3000 PSI	30	1"	22	44,4	38	50	8
<b>ZBSM3020038</b>	3000 PSI	38	1"1/4	28	50,8	43	55	8
<b>ZBSM3024045</b>	3000 PSI	45	1"1/2	35	60,3	50	57	8
<b>ZBSM3032060</b>	3000 PSI	60	2"	50	71,4	62	57	9,53
<b>ZBSM3040070</b>	3000 PSI	70	2"1/2	55	84,1	74	58	9,53
<b>ZBSM3048080</b>	3000 PSI	80	3"	68	101,6	90	60	9,53
<b>ZBSM3056100</b>	3000 PSI	100	3"1/2	89	114,3	102	80	11,2
<b>ZBSM6008016</b>	6000 PSI	16	1/2"	12	31,8	24	34	7,75
<b>ZBSM6012025</b>	6000 PSI	25	3/4"	18	41,3	32	38	8,76
<b>ZBSM6016030</b>	6000 PSI	30	1"	22	47,6	38	40	9,53
<b>ZBSM6020038</b>	6000 PSI	38	1"1/4	27	54	44	45	10,29
<b>ZBSM6024045</b>	6000 PSI	45	1"1/2	32	63,5	51	50	12,57
<b>ZBSM6032060</b>	6000 PSI	60	2"	45	79,4	67	58	12,57