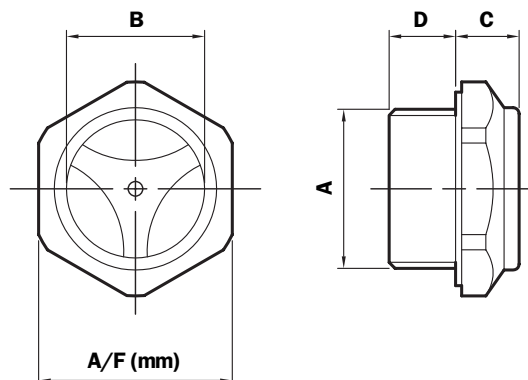


# Series LCP\*\*\*M



## Dimensions



### LCP\*\*\*M\*\* (Materials)

- 1 - Body: Aluminium
- 2 - Lens: Thermoplastic
- 3 - Contrast screen: Nylon
- 4 - Seal: Inorganic fibre

### Quantity per pack Number of Parts

LCP/M 25

### Spare parts

Size	Seal
	Inorg. fibre
G20	1.026.902
G26	1.026.903
G33	1.026.905

Size	A	B	C	A/F (mm)	D
G20	G 1/2"	16	9	27	10
G26	G 3/4"	20	10	32	12
G33	G 1"	25	11	40	14

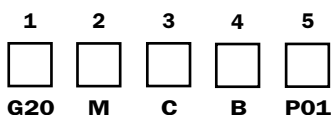
N.B. Seals thickness 2 mm.  
Recommended tightening torque 10÷15 Nm.

## Ordering information

### Level indicator

#### LCP\*\*\*M

Example: LCP



#### 1 - Size

G20	G 1/2"
G26	G 3/4"
G33	G 1"

#### 2 - Material

M	Metal (Aluminium)
---	-------------------

#### 3 - Accessories

C	Baffle
---	--------

#### 4 - Seal

B	Inorganic fibre
---	-----------------

#### 5 - Options

P01	MP Filtri standard
-----	--------------------

---

---

---

---

---

---

---

---

---

---

---

---

---

---

---

---

---

---

---

---

---

---

---

---

# Series LCP\*\*\*N

## Dimensions

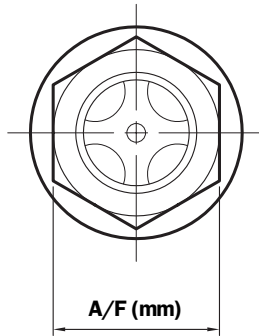


Standard view

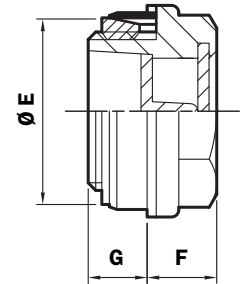
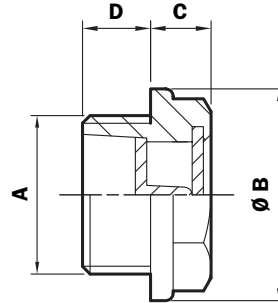


With view contrast and Expansion kit

LCP\*\*\*N\*\*\*S



LCP\*\*\*N\*\*\*K



Size	A	Ø B	C	A/F (mm)	D	Ø E	F	G
G13	G 1/4"	20	7	17	9	-	-	-
G16	G 3/8"	22	8	18	9	19,5	9,2	7,8
G20	G 1/2"	28	8	22	9	25,5	9,2	7,8
G26	G 3/4"	35	9	27	10	29,5	10,5	8,5
G33	G 1"	42	11,5	34	12,5	39	13	11
G42	G 1 1/4"	52	12	42	13	49	13,5	11,5
G48	G 1 1/2"	58	14	47	13	54	15,5	11,5
G60	G 2"	74	14	64	20	-	-	-

### LCP\*\*\*N\*\*\* (Materials)

- 1 - Body: Nylon
- 2 - Lens: Thermoplastic
- 3 - Contrast screen: Nylon
- 4 - Seals: NBR  
Inorganic fibre
- 5 - Expansion kit: Brass - NBR

### Quantity per pack Number of Parts

LCP/N 25

N.B. Recommended tightening torque 10 Nm.

### Ø hole for Expansion kit

Size	Diameter
G16	Ø 20
G20	Ø 26
G26	Ø 30
G33	Ø 40
G42	Ø 50
G48	Ø 55

### Spare parts

Size	Expansion Kit
-	-
G16	2026020
G20	2026021
G26	2026019
G33	2026023
G42	2026025
G48	2026026
-	-

## Ordering information

### Level indicator

LCP\*\*\*N

Example: LCP

1	2	3	4	5	6
□	□	□	□	□	□
G20	N	C	A	K	P01

### 1 - Size

G13	G 1/4"
G16	G 3/8"
G20	G 1/2"
G26	G 3/4"
G33	G 1"
G42	G 1 1/4"
G48	G 1 1/2"
G60	G 2"

### 2 - Material

**N** Black nylon

### 3 - Accessories

**S** Standard view

**C** Baffle (for except G13)

### 4 - Seal

**A** NBR (only K)

**B** Inorganic fibre

### 5 - Expansion kit

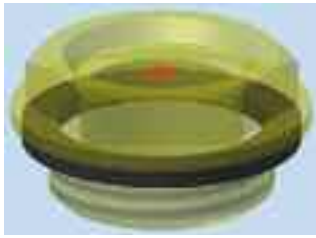
**S** Without  
**K** Expansion kit (for except G13 - G16)

### 6 - Options

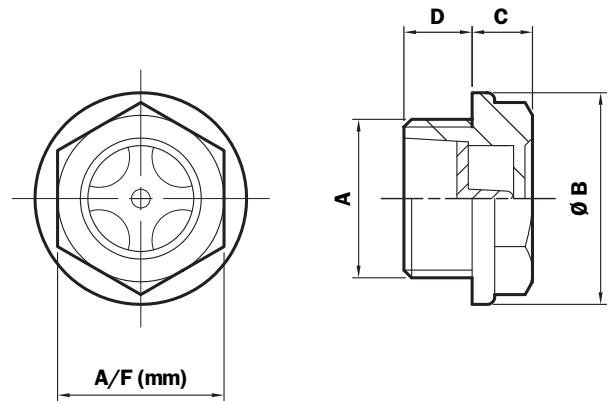
**P01** MP Filtri standard

# Series LCP\*\*\*T

## Dimensions



LCP\*\*\*T\*\*



**LCP\*\*\*T\*\* (Materials)**

- 1 - Body: Polyamide
- 2 - Contrast screen: Nylon
- 3 - Seal: NBR

**Quantity per pack  
Number of Parts**

LCP/T 25

Size	A	Ø B	C	A/F (mm)	D
G13	G 1/4"	19	4,5	15	7
G16	G 3/8"	21,7	5	17	7,5
G20	G 1/2"	27	5,5	21	8
G26	G 3/4"	32,8	6	26	9
G33	G 1"	39,8	6,5	32	10
G42	G 1 1/4"	52	12	42	13

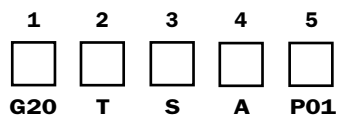
**N.B.** Seals thickness 2 mm.  
Recommended tightening torque 10 Nm.

## Ordering information

**Level indicator**

LCP\*\*\*T

Example: LCP



**1 - Size**

- G13 G 1/4"
- G16 G 3/8"
- G20 G 1/2"
- G26 G 3/4"
- G33 G 1"
- G42 G 1 1/4"

**3 - Accessories**

- S Without baffle
- C Baffle (G26-G33-G42 only)

**4 - Seal**

- A NBR

**5 - Options**

- P01 MP Filtri standard

**2 - Material**

- T Polyamide