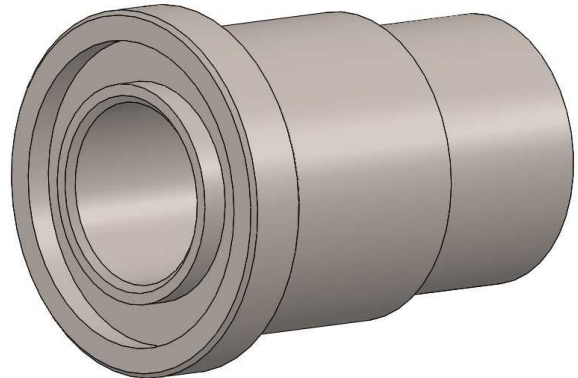
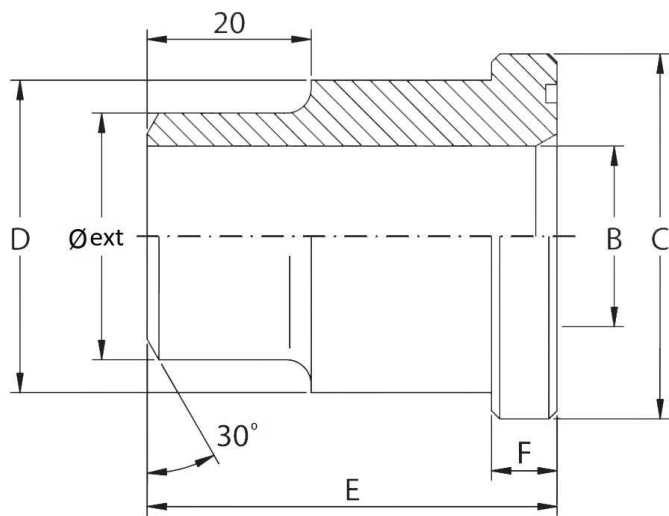


Flange welding adaptor for gas tube

Stainless Steel AISI 316-L



Part nº	Serie	Ø outer	Size	B	C	D	E	F
ZBSG3108215	3000 PSI	21.5	1/2"	13	30,2	24	41	6,73
ZBSG3112280	3000 PSI	28.0	3/4"	19	38,1	32	50	6,73
ZBSG3116340	3000 PSI	34.0	1"	25	44,4	38	50	8
ZBSG3120428	3000 PSI	42.8	1"1/4	32	50,8	43	55	8
ZBSG3124486	3000 PSI	48.6	1"1/2	38	60,3	50	57	8
ZBSG3132610	3000 PSI	61.0	2"	51	71,4	62	57	9,53
ZBSG6108215	6000 PSI	21.5	1/2"	13	31,8	24	34	7,75
ZBSG6112280	6000 PSI	28.0	3/4"	19	41,3	32	38	8,76
ZBSG6116340	6000 PSI	34.0	1"	25	47,6	38	40	9,53
ZBSG6120428	6000 PSI	42.8	1"1/4	32	54	44	45	10,29
ZBSG6124486	6000 PSI	48.6	1"1/2	38	63,5	51	50	12,57
ZBSG6132610	6000 PSI	61.0	2"	51	79,4	67	58	12,57