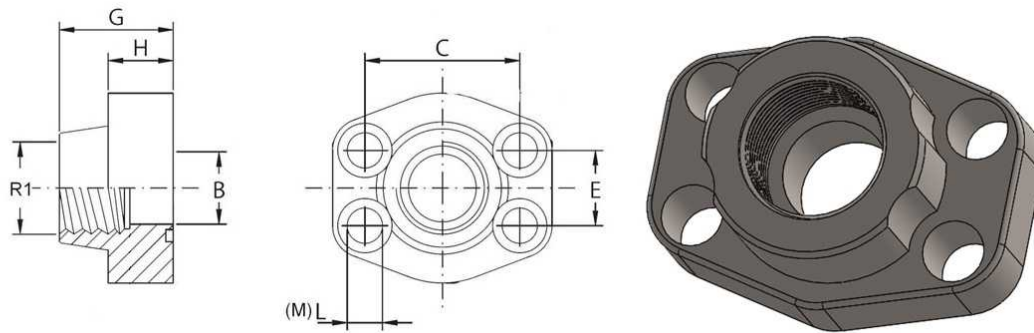


**BSP Female threaded flange**

Stainless Steel AISI 316-L



Part n°	Serie	R1	Size	O'Ring	B	C	E	G	H	L	M
<b>ZBBRG30808</b>	3000 PSI	1/2" BSP	1/2"	4075	13	38,1	17,48	36	16	9	M8x30
<b>ZBBRG31212</b>	3000 PSI	3/4" BSP	3/4"	4100	19	47,63	22,23	36	18	11	M10x35
<b>ZBBRG31616</b>	3000 PSI	1" BSP	1"	4131	25	52,37	26,19	38	18	11	M10x35
<b>ZBBRG32020</b>	3000 PSI	1"1/4 BSP	1"1/4	4150	32	58,72	30,18	41	21	11,5	M10x40
<b>ZBBRG32424</b>	3000 PSI	1"1/2 BSP	1"1/2	4187	38	69,85	35,71	45	25	13,5	M12x45
<b>ZBBRG33232</b>	3000 PSI	2" BSP	2"	4225	51	77,77	42,88	45	25	13,5	M12x45
<b>ZBBRG34040</b>	3000 PSI	2"1/2 BSP	2"1/2	4275	63	88,9	50,8	50	25	13,5	M12x45
<b>ZBBRG34848</b>	3000 PSI	3" BSP	3"	4337	73	106,38	61,93	50	27	17,5	M16x50
<b>ZBBRG35656</b>	3000 PSI	3"1/2 BSP	3"1/2	4387	89	120,65	69,85	48	27	17,5	M16x50
<b>ZBBRG36464</b>	3000 PSI	4" BSP	4"	4437	99	130,18	77,77	48	27	17,5	M16x50
<b>ZBBRG60808</b>	6000 PSI	1/2" BSP	1/2"	4075	13	40,49	18,24	36	16	9	M8x30
<b>ZBBRG61212</b>	6000 PSI	3/4" BSP	3/4"	4100	19	50,8	23,8	35	21	11	M10x40
<b>ZBBRG61616</b>	6000 PSI	1" BSP	1"	4131	25	57,15	27,76	42	25	13	M12x45
<b>ZBBRG62020</b>	6000 PSI	1"1/4 BSP	1"1/4	4150	32	66,68	31,75	45	27	15	M14x45
<b>ZBBRG62424</b>	6000 PSI	1"1/2 BSP	1"1/2	4187	38	79,38	36,5	50	30	17	M16x50
<b>ZBBRG63232</b>	6000 PSI	2" BSP	2"	4225	51	96,82	44,45	65	37	21	M20x70