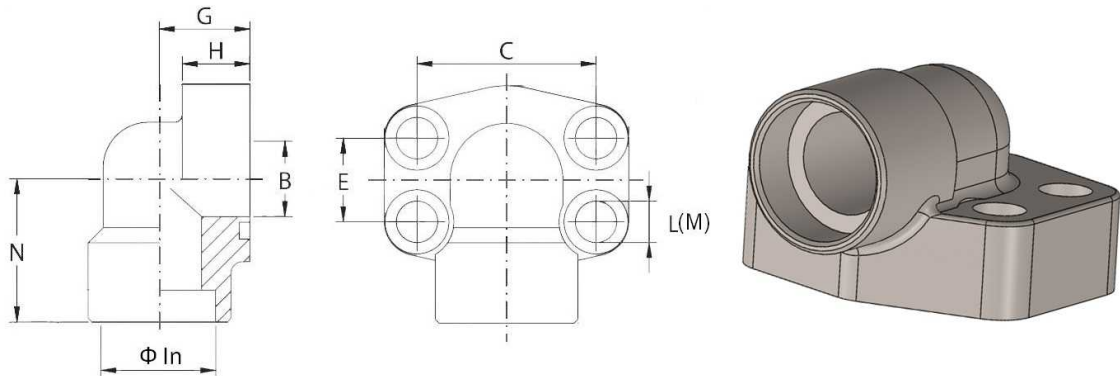


90° female welding flange for metric tube

Stainless Steel AISI 316-L



Part n°	Serie	Ø in	Size	O'Ring	B	C	E	G	H	L	M	N
ZB90SM308203	3000 PSI	20.3	1/2"	4075	13	38,1	17,48	20	16	9	M8x30	37
ZB90SM312253	3000 PSI	25.3	3/4"	4100	19	47,63	22,23	24	18	11	M10x35	38
ZB90SM316303	3000 PSI	30.3	1"	4131	25	52,37	26,19	28	19	11	M10x35	43
ZB90SM320383	3000 PSI	38.3	1"1/4	4150	32	58,72	30,18	34	21	11,5	M10x40	51
ZB90SM324505	3000 PSI	50.5	1"1/2	4187	38	69,85	35,71	38	25	13,5	M12x45	56
ZB90SM608203	6000 PSI	20.3	1/2"	4075	13	40,49	18,24	20	16	9	M8x30	37
ZB90SM612253	6000 PSI	25.3	3/4"	4100	19	50,8	23,8	28	19	11	M10x40	43
ZB90SM616303	6000 PSI	30.3	1"	4131	25	57,15	27,76	34	21	13	M12x45	51
ZB90SM620383	6000 PSI	38.3	1"1/4	4150	32	66,68	31,75	38	25	15 *	M14x45	56
ZB90SM624505	6000 PSI	50.5	1"1/2	4187	38	79,38	36,5	42	25	17	M16x50	65